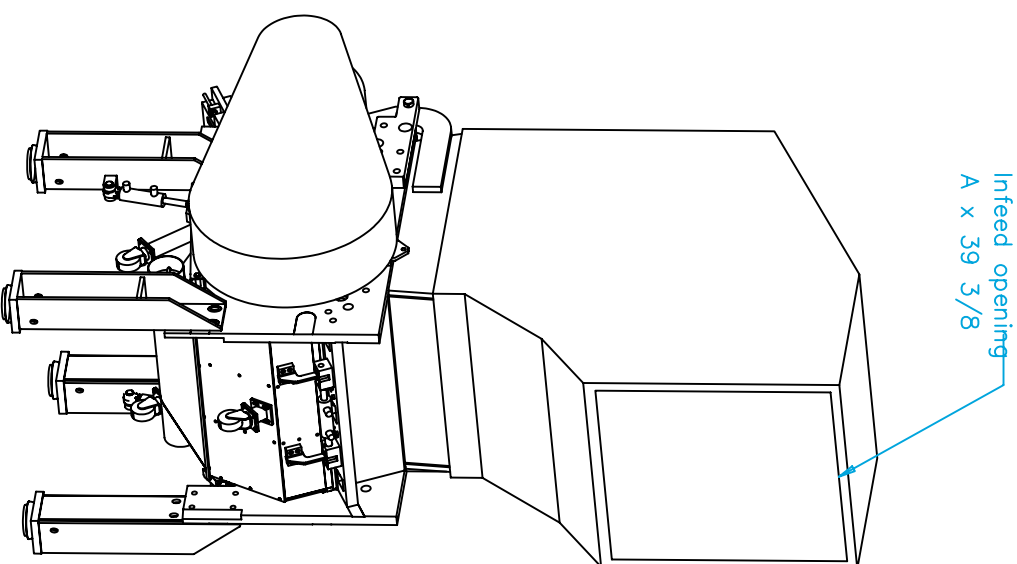
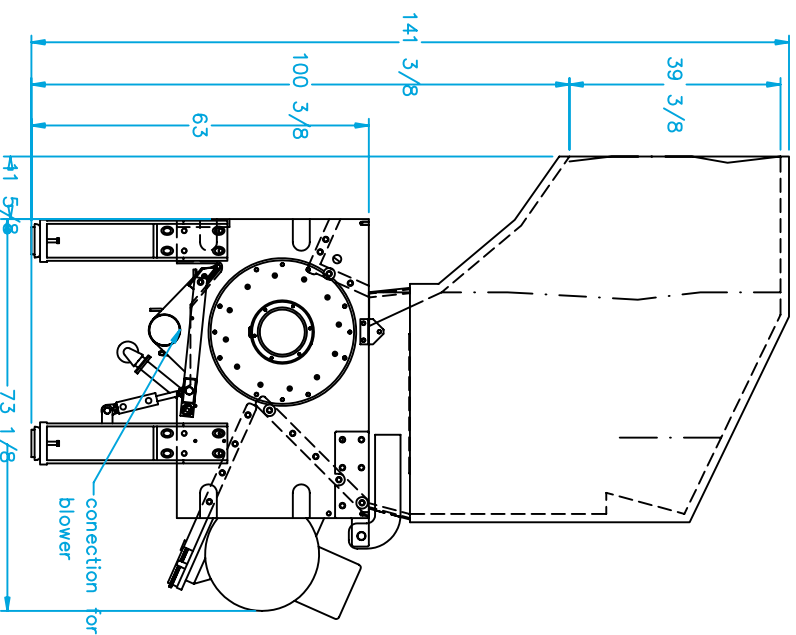
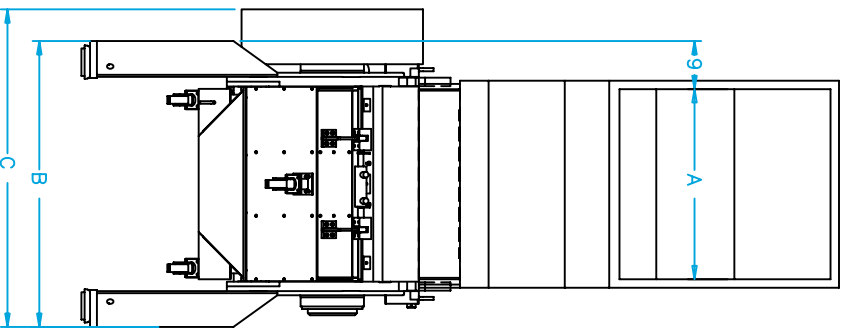
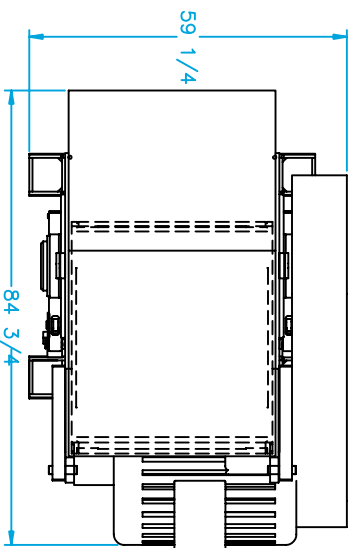


Typ	A	B	C
RS 6012	47 1/4	65 3/16	59 1/4
RS 6015	59	77	71 1/16



Scale	Name	Date	Project
MS	19m003	000	

Description: RS 6012 with special hopper for conveyor


GETECHA
 813 W. South St.
 Anderson, IN 46011
 1-866-GETECHA

Drawing: RS6012_01_35