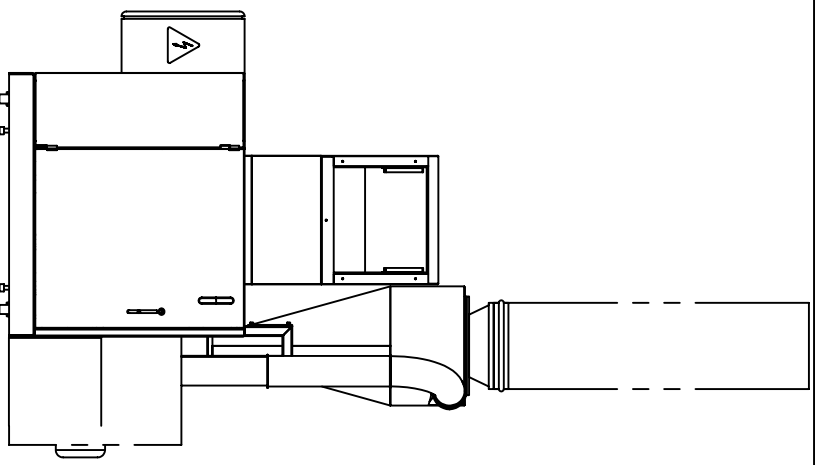
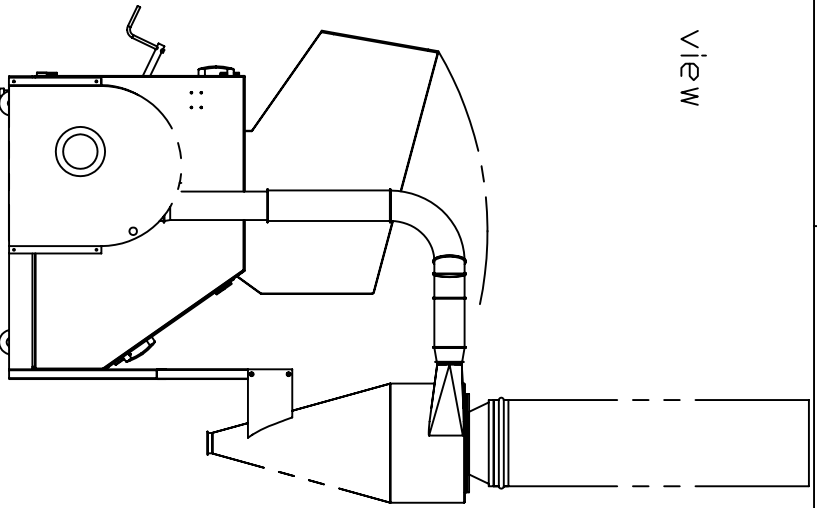
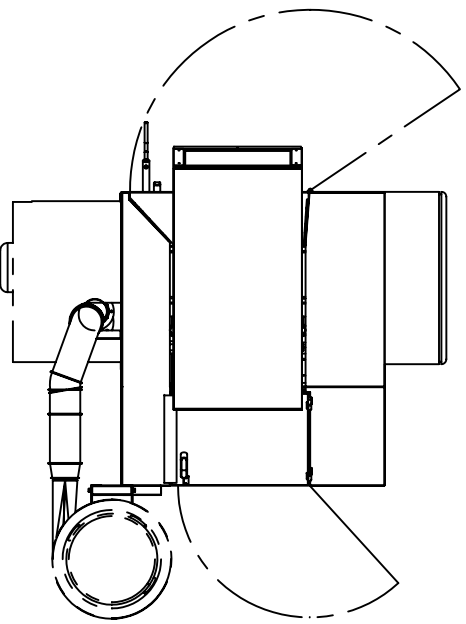


right side view



Front view (to feed opening)

top view open



RS 3004 - 3009 Granulator  
w/ integrated suction unit

Date  
25.04.2002  
Drawing No.  
RS 300X - A1

GETECHA INC. KALAMAZOO, MICHIGAN 888-498-3242